

BALANCING / MODULATING DAMPER

2.1.12.A

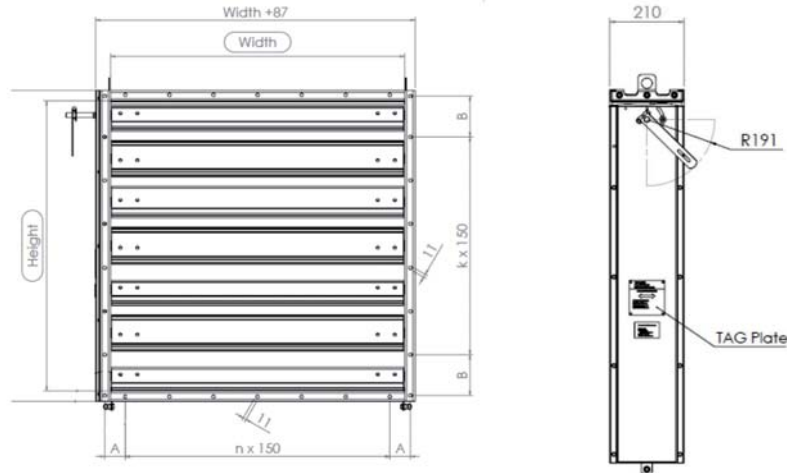
RKO-ATEX

VOLUME CONTROL

The purpose of this specification is to present the main features of RKO-ATEX dampers. Those products are dedicated to installations in EXplosive ATmospheres zone 1. They are designed to prevent any risk of explosion in gaseous and dusty atmospheres.

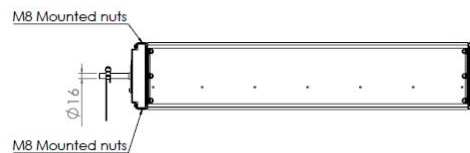
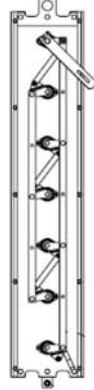


DIMENSIONS



This product does not have preferential airflow direction

View without casing



MATERIALS


	RKO-ATEX
Frame	Stainless steel AISI 316L
Blades	Stainless steel AISI 316L
Bearings	Self lubricated sintered bronze bearings, lubricated with amide 10 DS wax
Shafts	Stainless steel AISI 316L
Linkage	Stainless steel AISI 316L

Information and data can not be considered as contractual. Design and data changes may occur without notice during F2A's continuous product development.

BALANCING / MODULATING DAMPER

RKO-ATEX

CONSTRUCTION

		RKO-ATEX
Certification		 II 2 GD II C T3...T6
Dimensions		Length from 150 to 2 000 mm Height from 100 to 2 000 mm with a pitch of 50 mm Circular adaptation from Ø100 to Ø1250 mm
Leakage rate		Non classified
Frame	Thickness	3 mm
	Width	210 mm
	Drillings	According to ISO 15138
	Flanges	According to ISO 15138
Linkage protection		Housing of the linkage
Blades	Thickness	2 x 1,5 mm
	Movement	Opposed type
	Shafts	Ø15 mm
Control		Manual control: smooth shaft Ø16 - lever with locking device.
Option		Electric actuator

CALCULATION CONDITIONS

The aeraulic features which are presented hereunder are valid when the products are used with a clean air in the following conditions:

- Temperature 20°C
- Hygrometry 50% HR
- Air pressure 101 325 Pa

Air velocities are given in meter per second m/s
Pressures are given in Pascal Pa
Temperatures are given in Degree Celsius °C
All measurements are given in millimeter mm

AERAULIC FEATURES

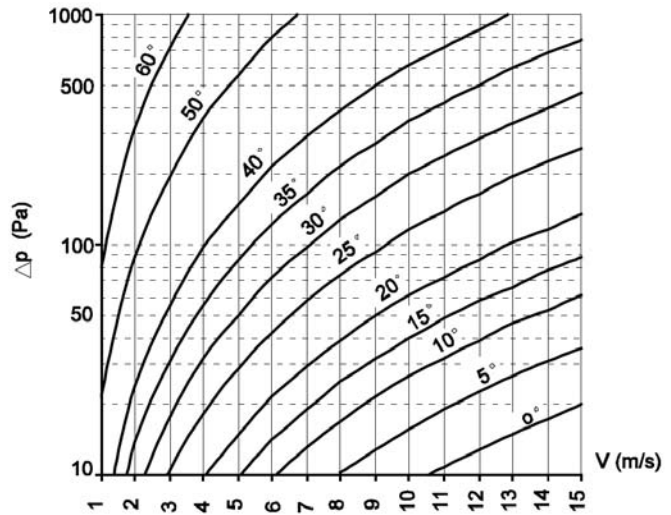
		RKO-ATEX
Maximum operating pressure		5 000 Pa for a 1 000 mm length blade
Operating temperature		From -50°C* to +180°C
Maximum air velocity		20 m/s

*As long as freezing does not occur on any part of the damper

Information and data can not be considered as contractual. Design and data changes may occur without notice during F2A's continuous product development.

PRESSURE DROP

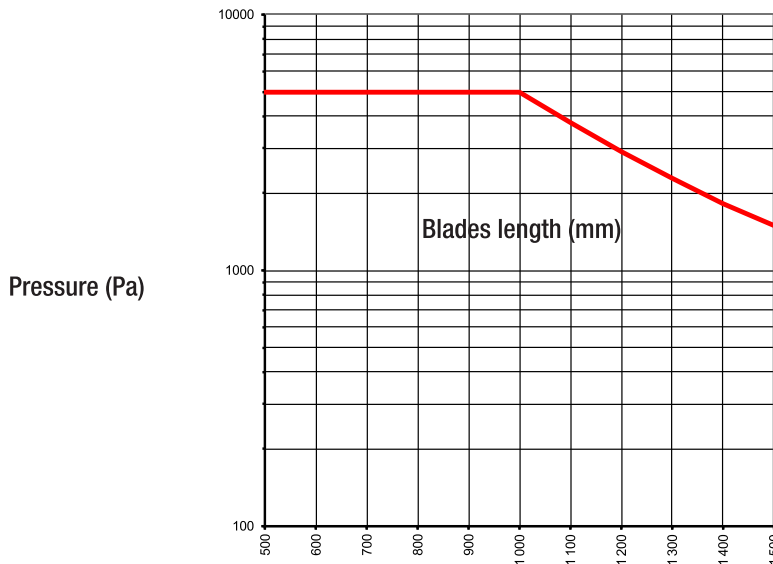
Pressure drop for a damper connected upstream and downstream
 0° = open damper



PERFORMANCES

Use limits

It is the difference between the upstream and downstream pressure that RKO-ATEX dampers can withstand.



In order to improve pressure resistance, a vertical reinforcement can be used.

TESTS

The following tests are systematically carried out on 100% of our RKO-ATEX products :

- Measurements
- Appearance
- Manageability

Besides, airtightness, blade deflection and pressure resistance tests can be carried out on request.

PROVIDED DOCUMENTS

Material certificates type 3.1 according to EN 10 204 standard for :

- Metal sheets of the blades
- Metal sheets of the frame

SAFETY AND PRESERVATION RULES

Refer to the following documents :

- Operation manual for dampers CO-NOT-15-003 Ind 0
- Instruction manual of accessories